

# Flip Top Training Table 6'

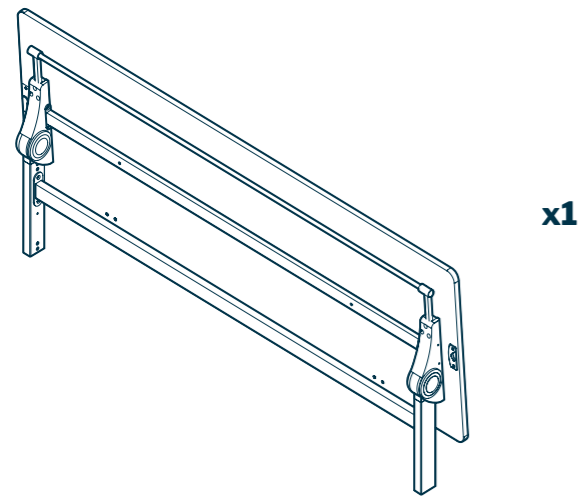


2 People  
Required



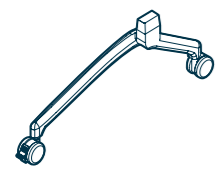
Holds up to  
125 lb (56.7 kg)

# vari®

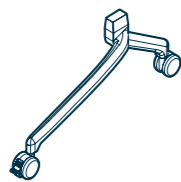


x1

TABLE TOP WITH LEGS



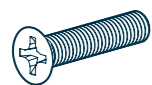
x1



x1

LEFT FOOT

RIGHT FOOT



x4

M5 X 28L PHILLIPS HEAD SCREW

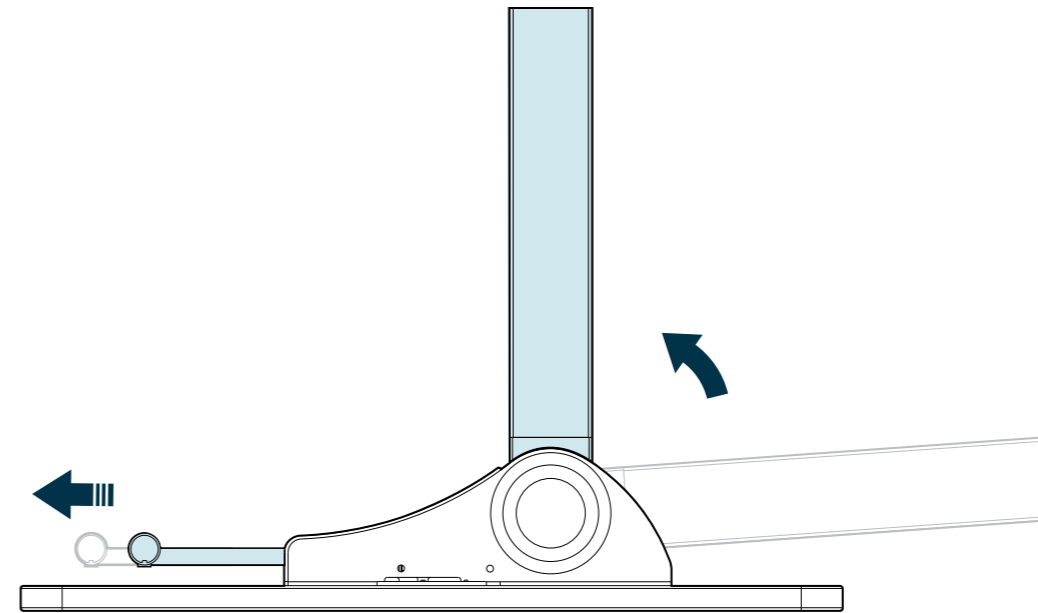
## REQUIRED TOOLS

(Not Included)



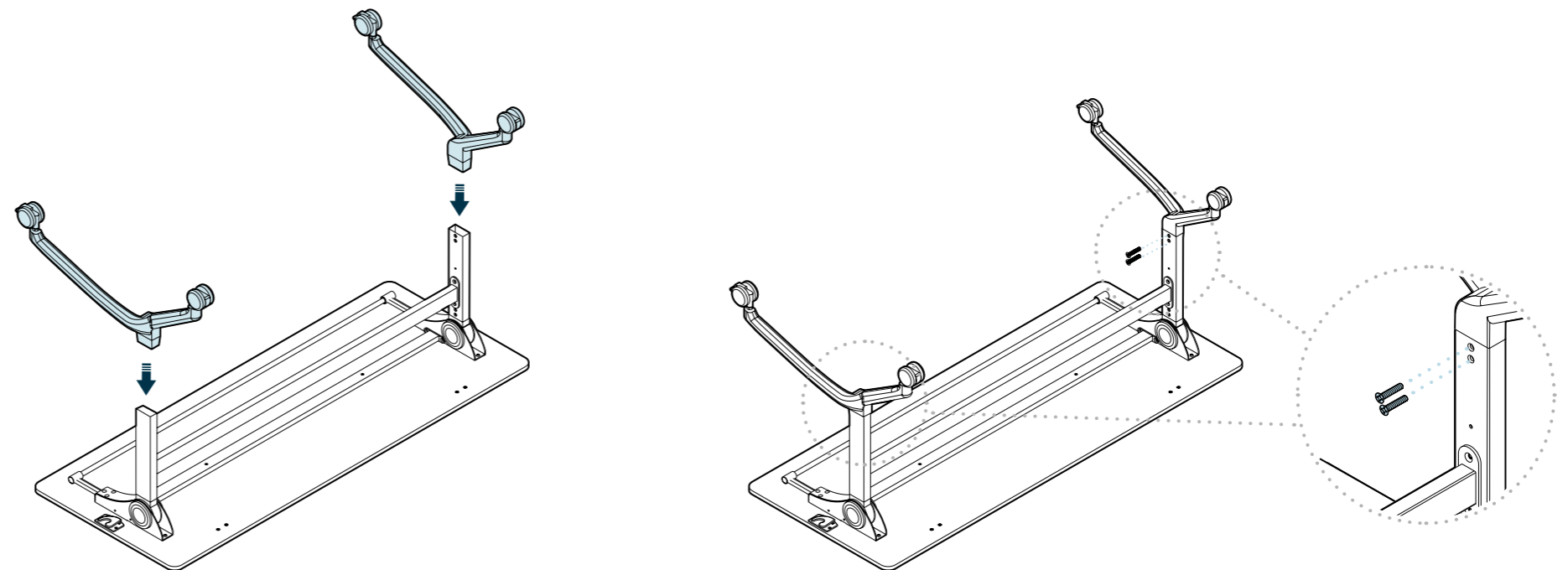
PHILLIPS HEAD SCREWDRIVER

1



**NOTE:** To protect your new table, complete this step while it is still face down in the box. Using two hands, pull the locking mechanism out toward the edge of the table and hold in place. Rotate the legs 90 degrees until upright, then release the leg locking mechanism.

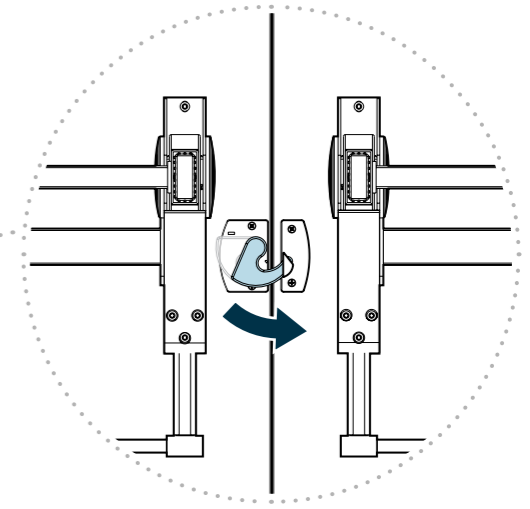
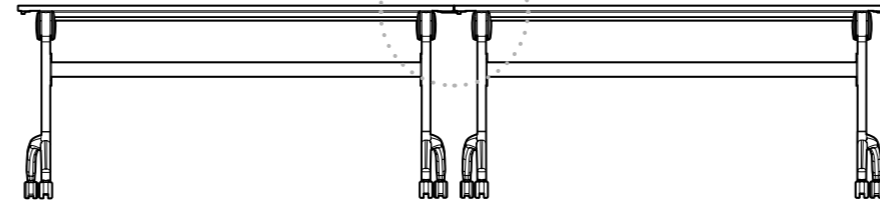
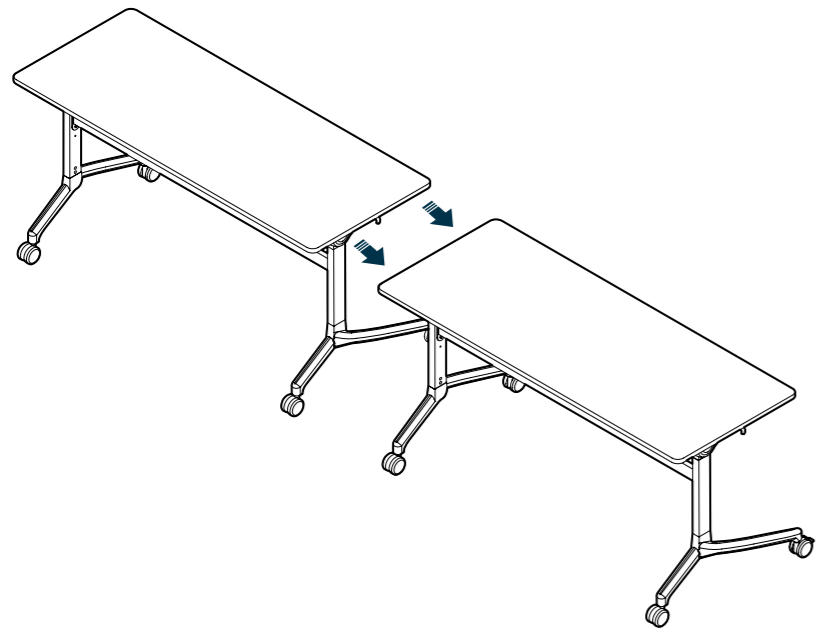
2



Following the "L" (left) and "R" (right) indicators on the feet and the interior side of the legs, insert the feet into the corresponding legs of the table. Using a Phillips screwdriver and the included screws, secure both feet in position. *If you purchased a Flip Top Training Table Modesty Panel, please refer to the separate instructions included with the panel before moving on.*

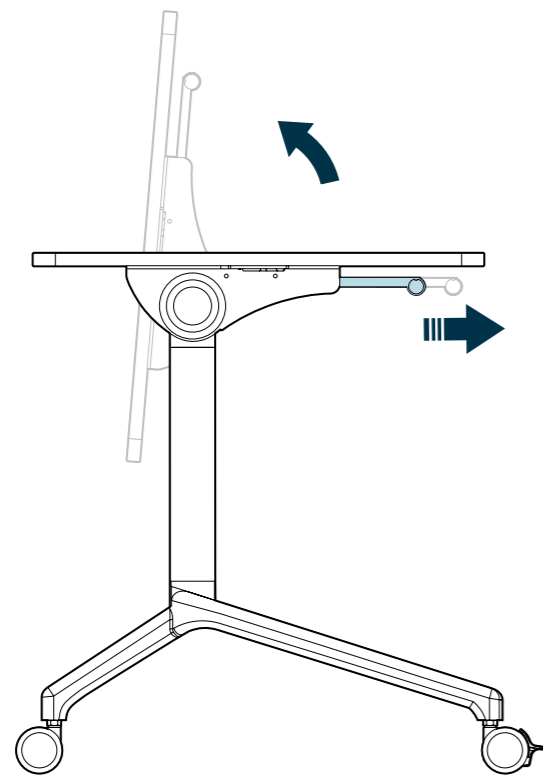
Lock all four casters on the feet. With two people, lift the table, rotate it into an upright position, and set the table down on its feet.

## Linking Multiple Tables Together



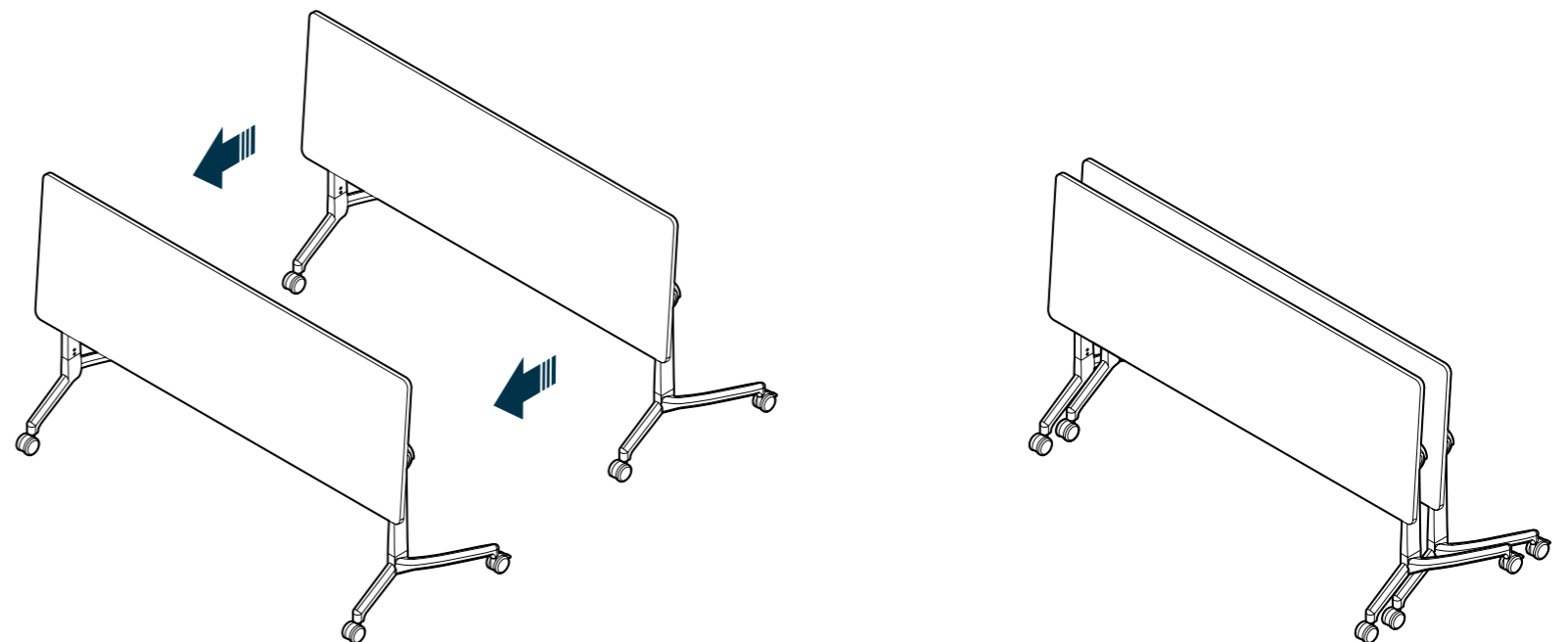
To link multiple tables together, line them up side-by-side facing the same direction. Once in place, rotate the latch hook on the underside of one table through the latch on the underside of the second table.

## Storing Tables



With two hands, pull and hold the locking mechanism out toward the table edge, then tilt the table top into the upright position. Once it is in place, release the locking mechanism.

## Nesting Tables



When the Flip Top Training Table is in the upright position, multiple tables can be nested together for storage. Position the tables to face the same direction, align each end, and push them together, carefully guiding the legs of the back table between the legs of the front table.